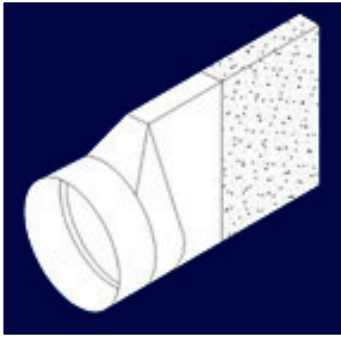


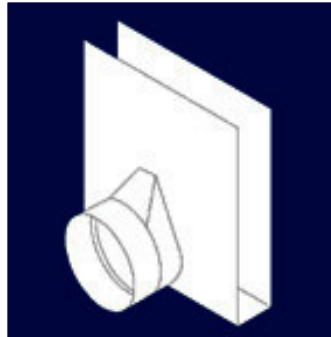


Ultra-Shield™ Strip Drain Fittings



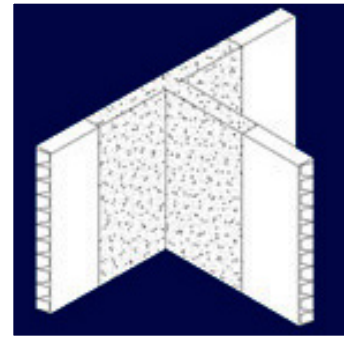
**6" End Outlet
or 12" Universal Outlet**

Allows Strip Drain to be connected to a 4" PVC or corrugated pipe.



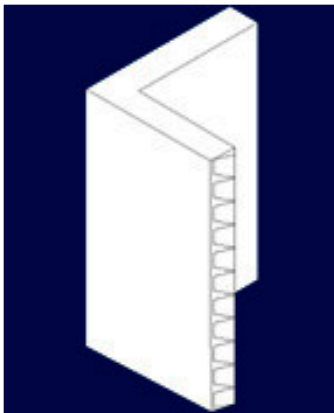
Tee Outlet

Allows Strip Drain to have an outlet perpendicular to the Strip Drain.



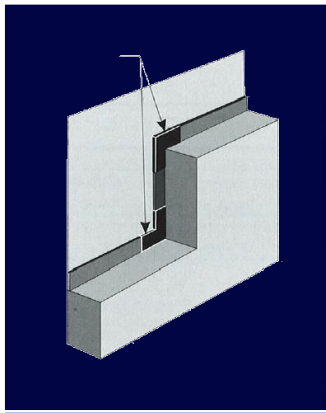
6" Tee Connector

When drainage is needed in areas away from the main drainage path, this connector will allow the Strip Drain to have drainage lines off the Strip Drain.



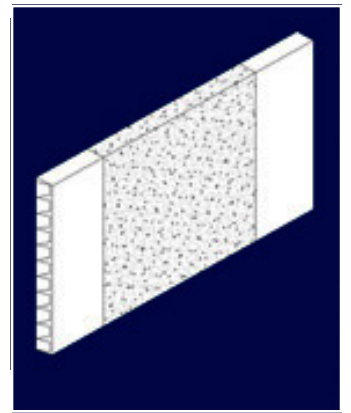
6" Corner Fitting

For a 90° fit, this fitting will allow continuous drainage around a corner.



6" or 12" Step Down

For outside corners, use this fitting to help keep the consistent drainage at the corner and relieve tension in fabric.



6" Splice

To connect two Strip Drain pieces, use this fitting to extend the Strip Drain. 12" Strip Drain is spliced manually.

